

# Installation Points and Operating Instructions for the Filter Kit

This manual contains installation points and operating instructions for the filter kit mounted on the medium-static-pressure ducted models manufactured by MHI.

Carry out the work following the instructions below.

This manual also contains information on the usage after installation, so keep this manual properly with USER'S MANUAL provided with the indoor unit.

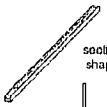
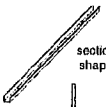
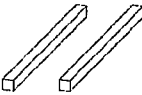
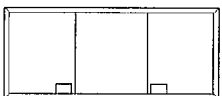

### CAUTION

- After unpacking, carry out this work on the ground.
- Do not carry out the work during operation, or there is a danger of being entangled in the rotating parts and getting injured.
- Clean the air filter regularly.
- Be sure to entrust qualified servicemen to perform maintenance on the air filter.
- Be sure to cut off the power and stop the unit before performing maintenance.

### 1. Table of filter kit parts No. and corresponding object models

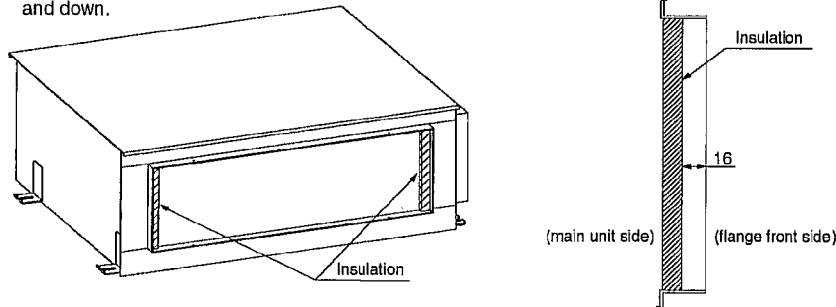
	Small model	Medium model	Large model
Multi type	22~56	71,90	112,140
Single type	20	25,30	40~60
Filter Kit	UM-FL1E	UM-FL2E	UM-FL3E

### 2. Parts list of filter kit

 section shape 1pc	 section shape 1pc	 2pcs
 1pc		 (small and medium-sized model: 4pcs) (large model: 6pcs)

### 3. Installation Points

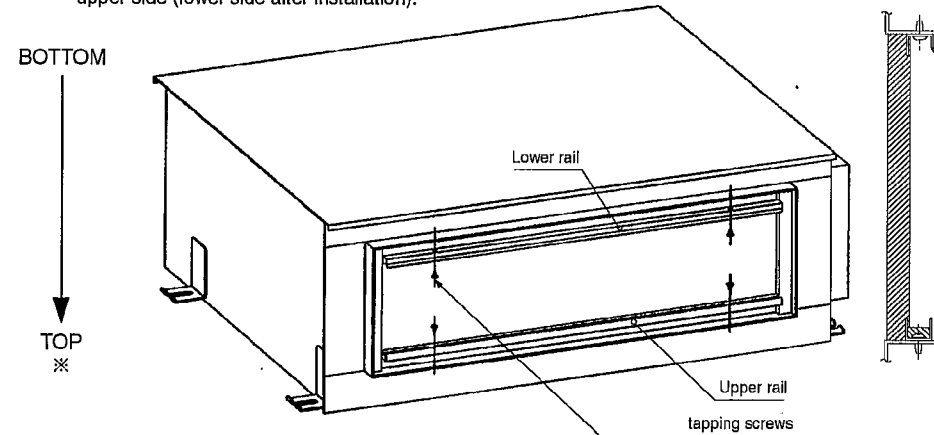
(1) Stick the insulation on both inner sides of the duct to a depth of 16mm, leaving no space up and down.



PJZ012D053

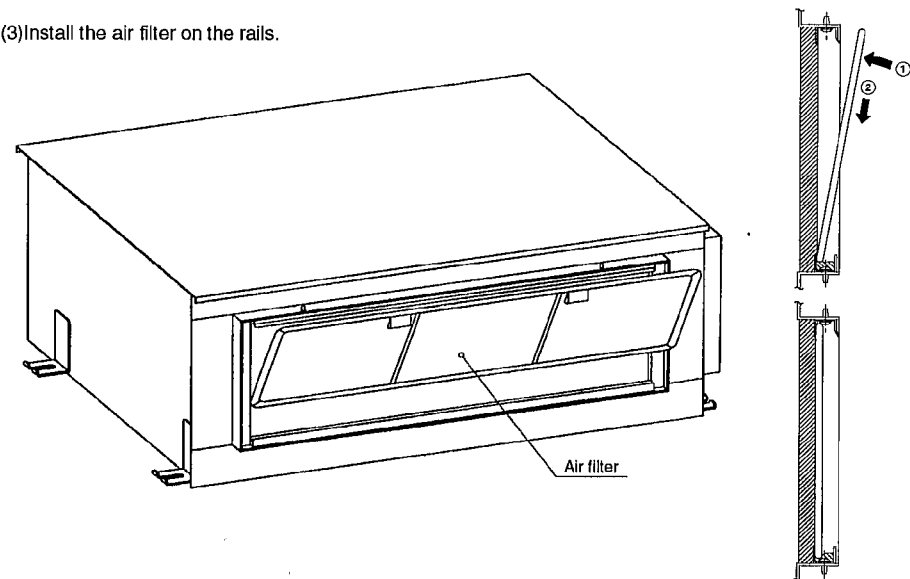
(2) Use the tapping screws to tighten the upper rail and lower rail from inside.

To facilitate the assembly & disassembly of the air filter, be sure to install the lower rail on the upper side (lower side after installation).



※After installation, the state of the unit will be reverse to that shown in the figure.  
 (small and medium-sized model: 4pcs.)  
 (large model: 6pcs.)

(3) Install the air filter on the rails.

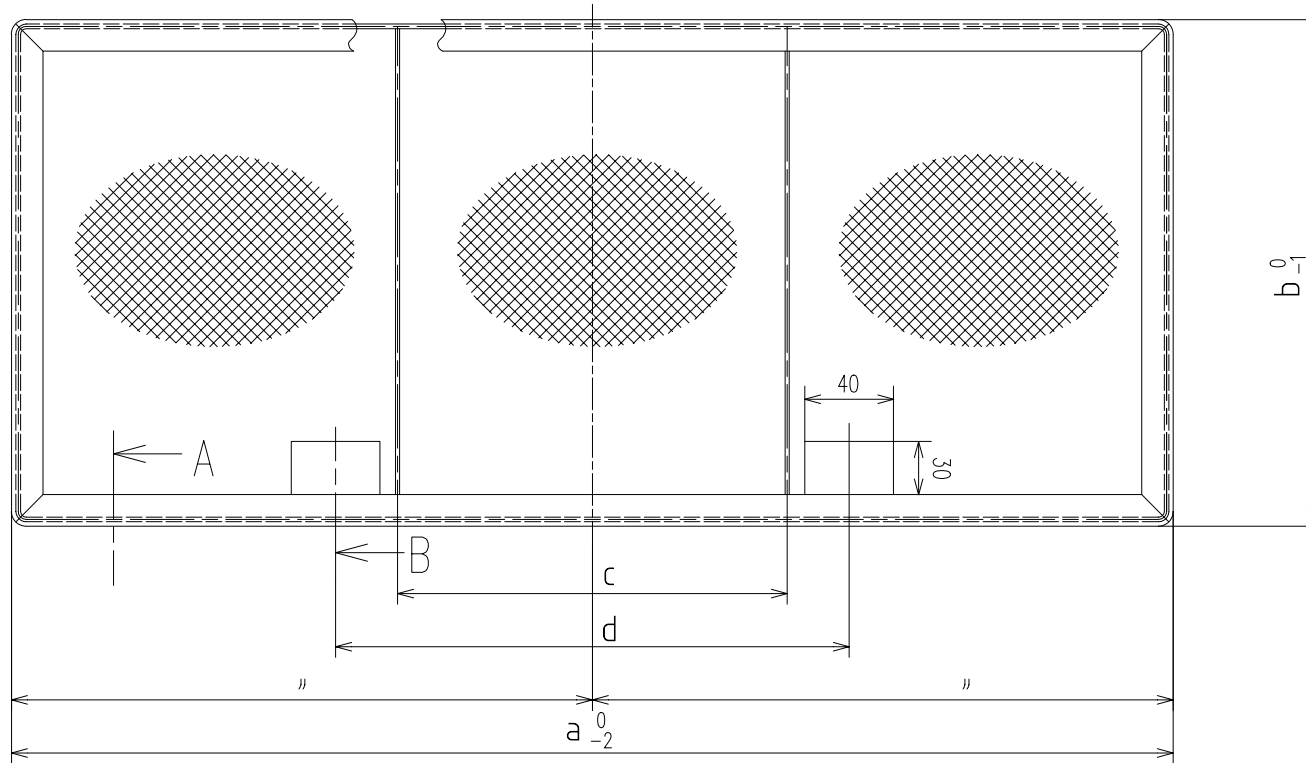


16  
 (distance from flange front side) 16  
 10

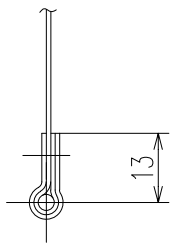
# Dimensions

unit:mm

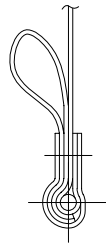
UM-FL1E ,FL2E ,FL3E



品別 \ 記号	a	b	c	d
UM-FL1E	656	184	220	290
UM-FL2E	856	184	380	450
UM-FL3E	1276	224	420	530



A ~



B ~