

Installation manual of the fan controller kit for Outdoor air Processing unit

This manual instructs the way of installing the optional fan controller for Outdoor air Processing unit. Install the controller in accordance with the following procedure.

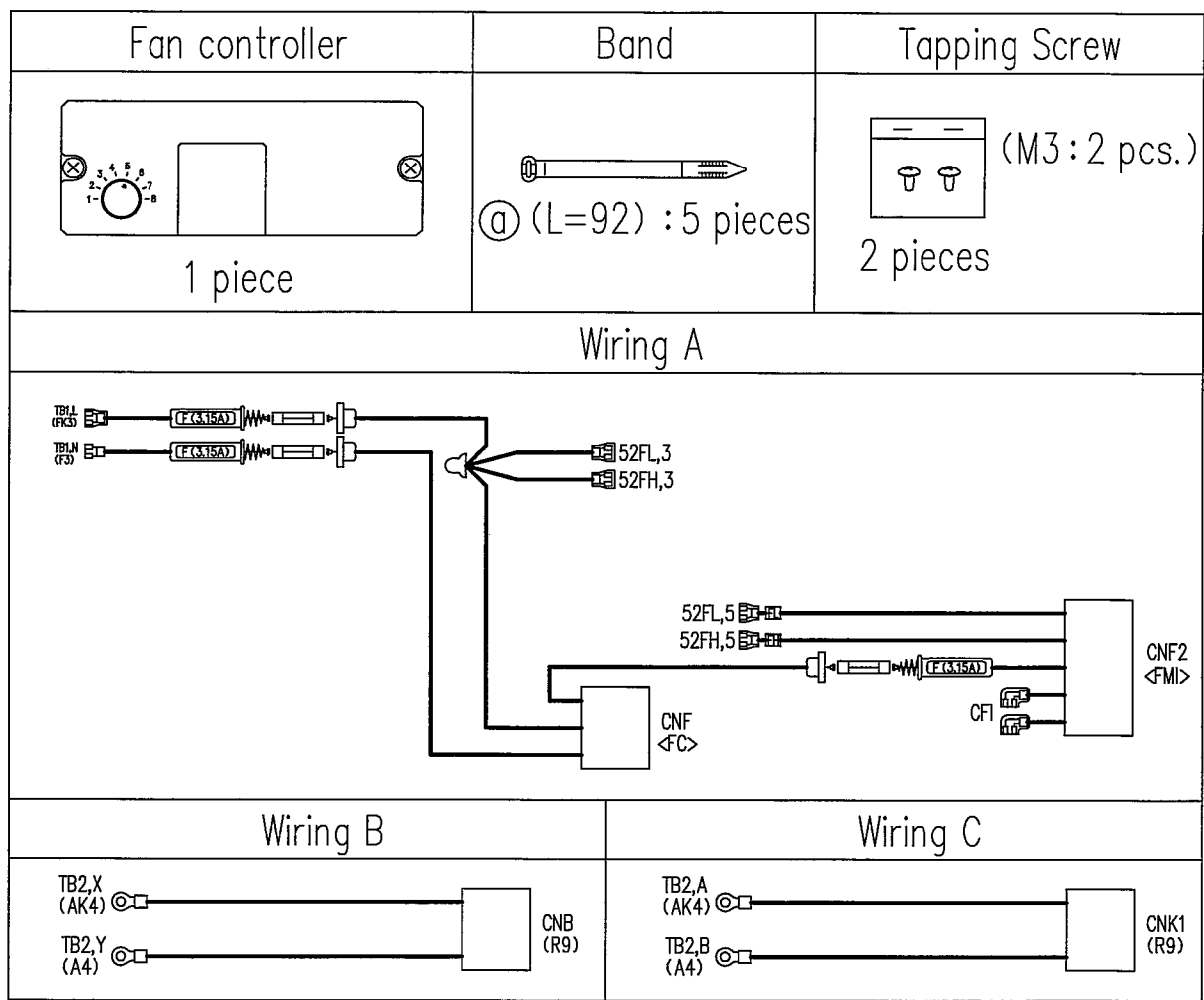
⚠ WARNING

- (1) Consult your dealer for the installation of the controller.
- (2) Only qualified electrician must install the controller.
- (3) Remove the control box before the installation.
Before installing the product, take it out from the package and place it on the floor.
- (4) Be sure to turn off the power supply during installation.
Unless the above precautions are observed, it could cause electrical shocks or fire.

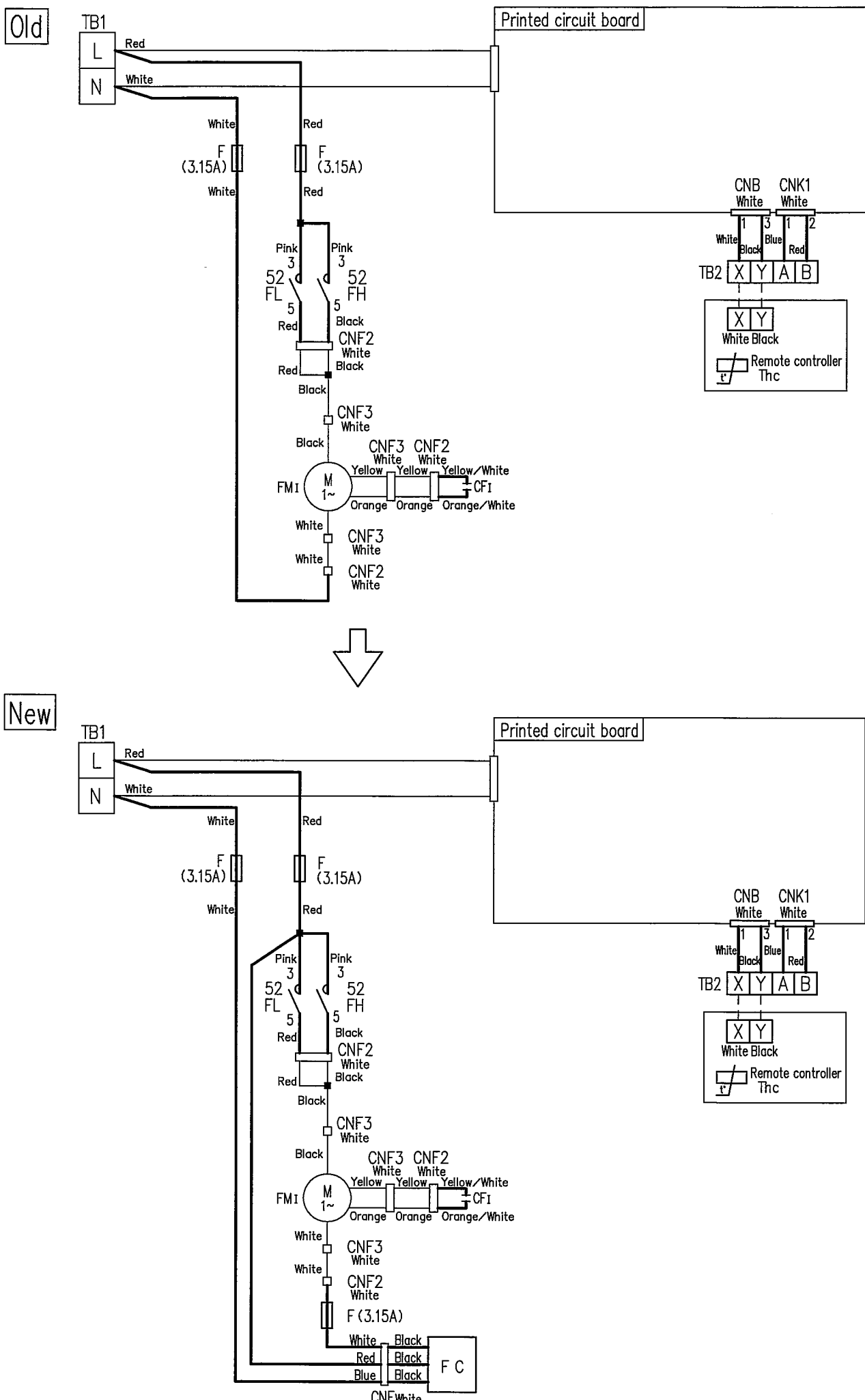
1. Applicable models and corresponding fan controller kit

Applicable models	FDU500,850,1300,1800FKXE6
Fan controller kit	U-FCRB (PZ006A102B)

2. Component parts list



3. Electric circuit diagram (Change the sections indicated with bold lines.)



<Precautions for wiring>

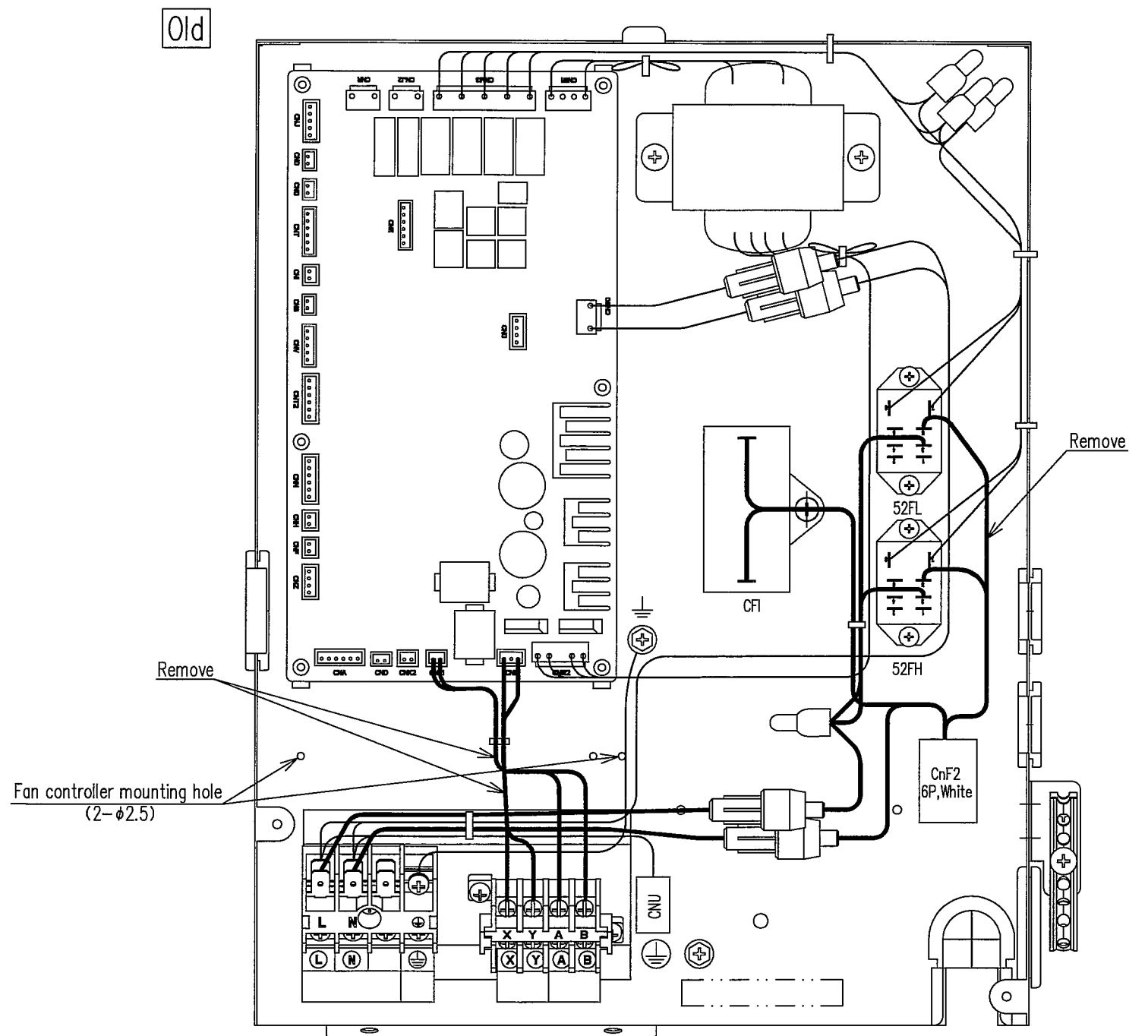
- Connect wires correctly as shown by the electric wiring diagram. Be sure to tighten set screws firmly to prevent them generating heat or causing other troubles after becoming loose.
- Number of wires connected to the terminal block must be 2 wires or less. Never connect 3 or more wires in any event.

4. Installation procedure

- (1) Remove the lid from the control box.
- (2) Remove the wiring (TBⓐ~CNF2), wiring (TBⓧ~CNB) and wiring (TBⓐ~CNB).

⚠ CAUTION Confirm that electricity has been discharged before touching the capacitor terminals. There is risk of electric shocks.

- (3) Disconnecting wires at the outside of control box from the unit clamps, disassemble the control box from the unit.
- (4) Install the fan controller.
- (5) Referring to "3. Electric circuit diagram", connect wires as illustrated and fix with bandsⓐ.
- (6) Install the control box in the reverse order of removal and hook the wires at the outside of box on the clamp.
- (7) Reinstall the removed lid on the control box.



New

