

8.3 Fan controller kit for high static pressure duct. (U-FCRA)

The way of installing the optional fan controller for high static pressure ducts. Install the controller in accordance with the following procedure.

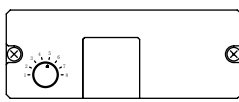
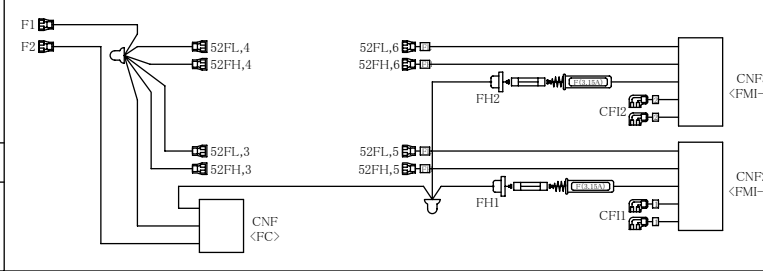
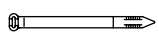
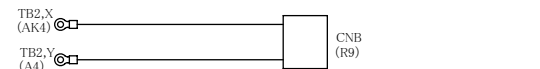

⚠ WARNING

- ① Consult your dealer for the installation of the controller.
- ② Only qualified electrician must install the controller.
- ③ Remove the control box before the installation.
Before installing the product, take it out from the package and place it on the floor.
- ④ Be sure to turn off the power supply during installation.
Unless the above precautions are observed, it could cause electrical shocks or fire.

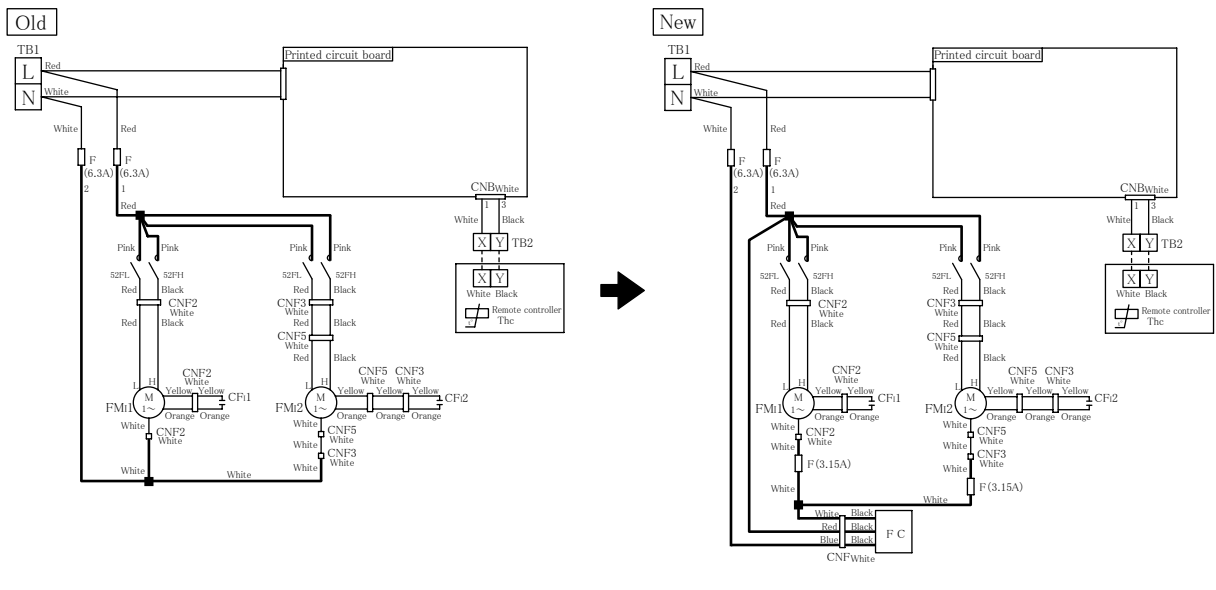
1) Applicable models and corresponding fan controller kit

Model	FDU224,280KXE6/FDU200,250VD
Fan controller kit	U-FCRA

2) Component parts list

<p>Fan controller</p>  <p>1 piece</p>	<p>Wiring A</p> 
<p>Band</p>  <p>ⓐ (L=92) : 5 pieces</p>	<p>Wiring B</p> 
<p>Tapping screw</p>  <p>(M3 : 2 pcs.) 2 pieces</p>	

3) Electric circuit diagram (Change the sections indicated with bald lines.)



PJD012D049

<Precautions for wiring>

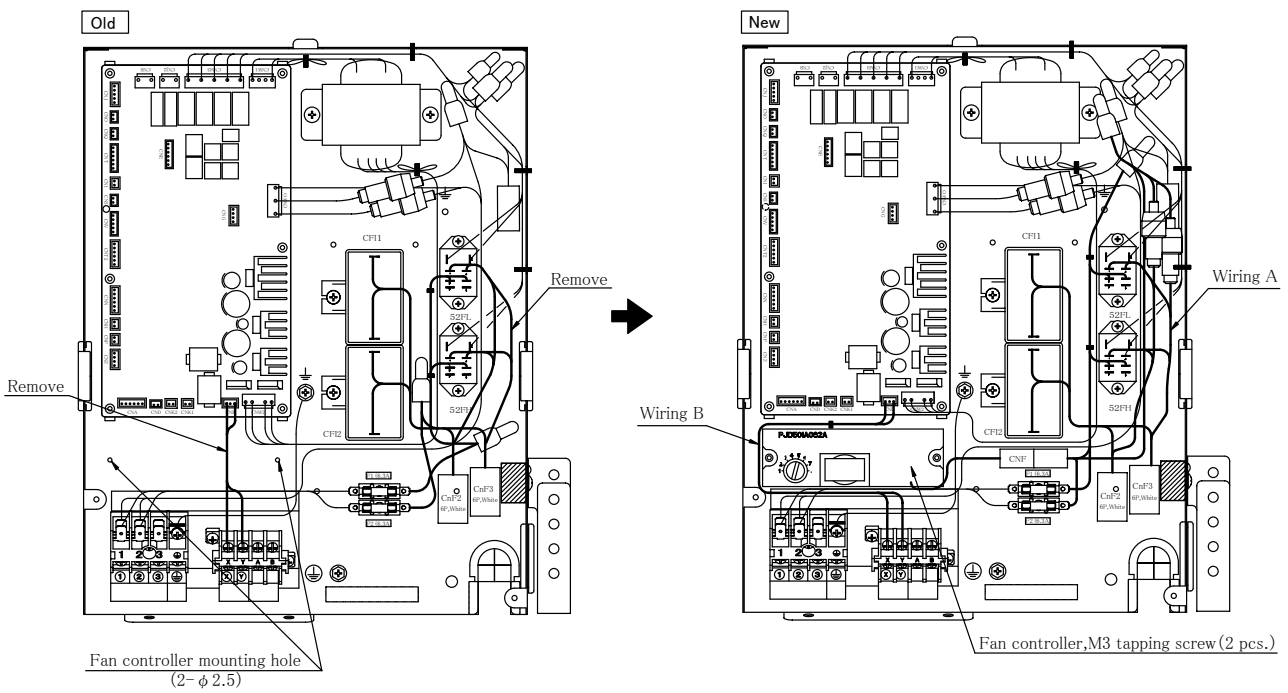
- Connect wires correctly as shown by the electric wiring diagram. Be sure to tighten set screws firmly to prevent them generating heat or causing other troubles after becoming loose.
- Number of wires connected to the terminal block must be 2 wires or less. Never connect 3 or more wires in any event.

4) Installation procedure

- a) Remove the lid from the control box.
- b) Remove the wiring (fuse~CNF2,3) and wiring(TBⓧⓎ~CNB).

⚠CAUTION Confirm that electricity has been discharged before touching the capacitor terminals. There is risk of electric shocks.

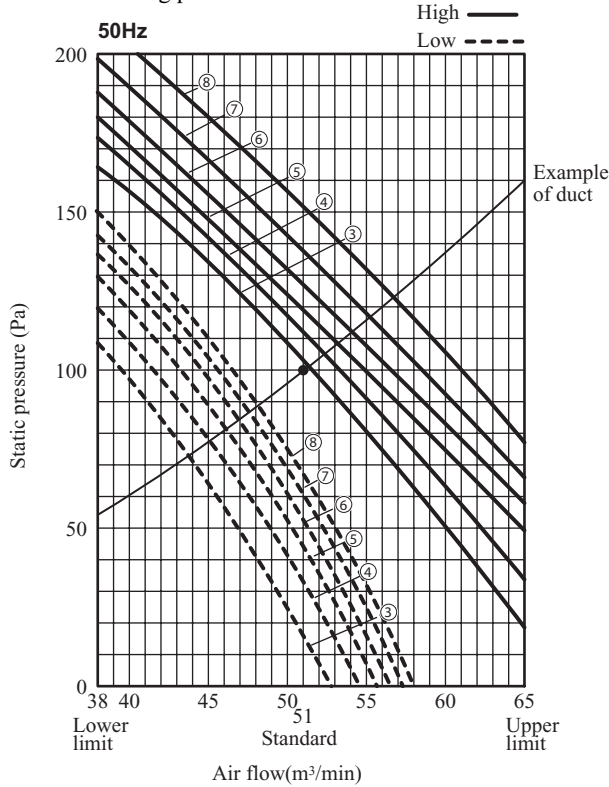
- c) Install the fan controller.
- d) Referring to “3) Electric circuit diagram”, connect wires as illustrated and fix with bands (a).
- e) Reinstall the removed lid on the control box.



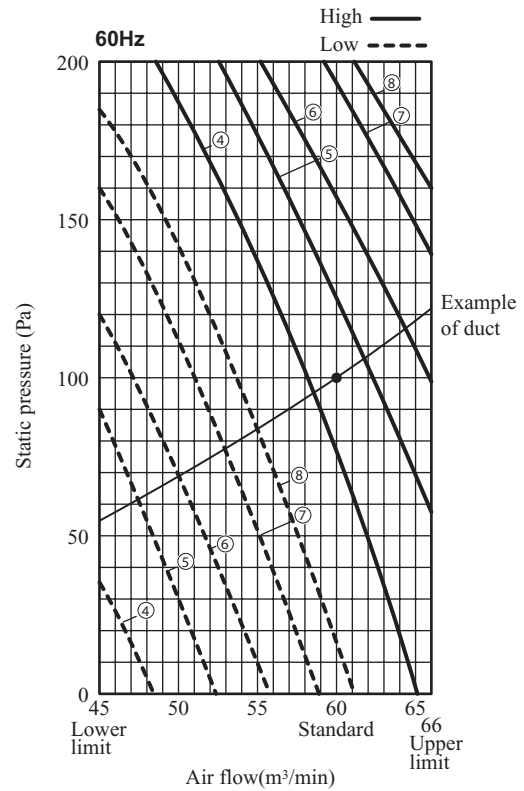
Characteristics of fan

Model FDU224KXE6

•Standard rating point rated air volume at 100Pa



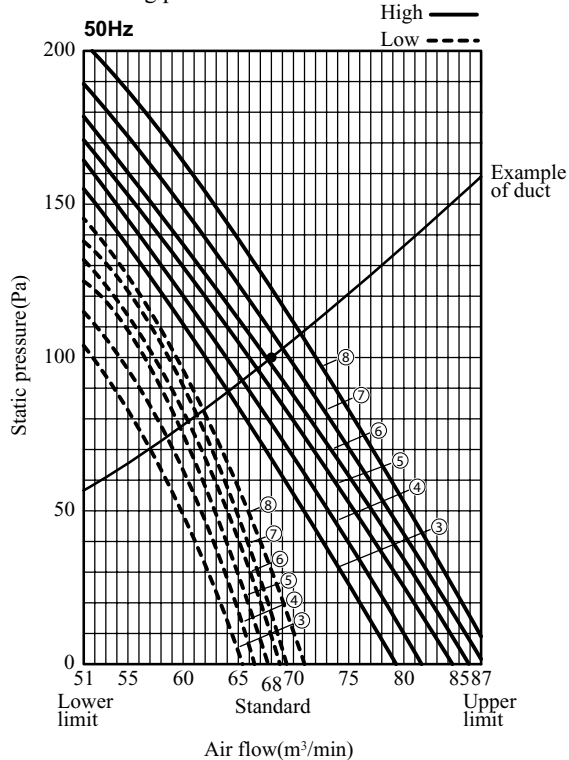
Note (1) Nos. ②, ① of fan controller should not be used because the fan motor could produce electromagnetic noise.



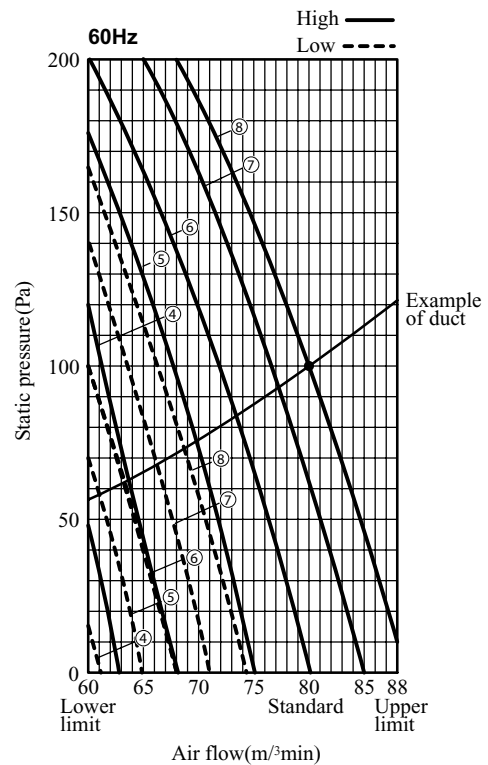
Note (1) Nos. ③, ② and ① of fan controller should not be used because the fan motor could produce electromagnetic noise.

Model FDU280KXE6

•Standard rating point rated air volume at 100Pa



Note (1) Nos. ②, ① of fan controller should not be used because the fan motor could produce electromagnetic noise.



Note (1) Nos. ③, ② and ① of fan controller should not be used because the fan motor could produce electromagnetic noise.