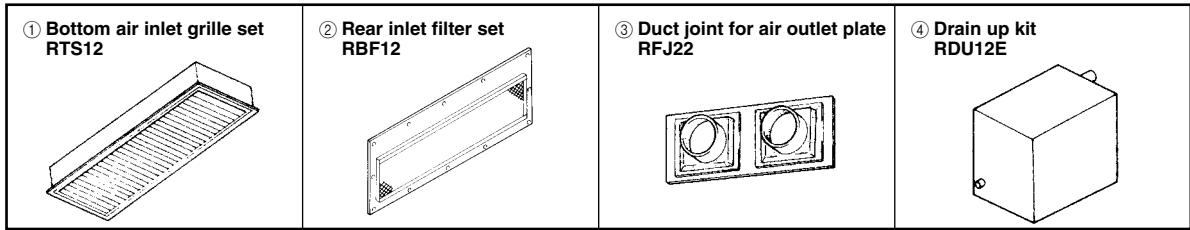


Ducted type (SRRM) optional parts

■ Table of optional parts



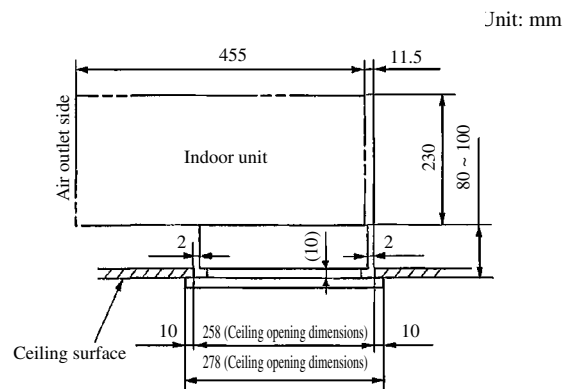
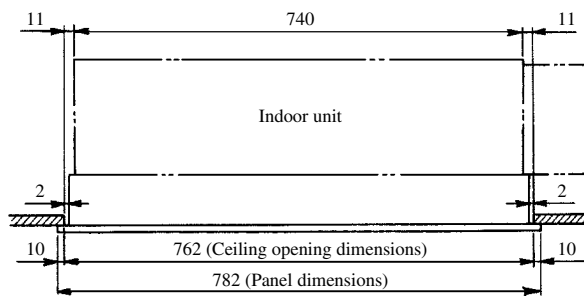
(1) Bottom air inlet grille set

(a) Part No.: RTS12

(b) Parts list

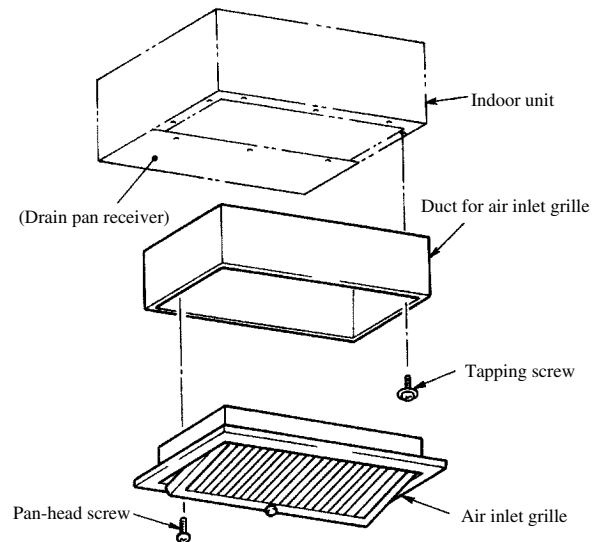
Name	Qty.
Air inlet grille	1
Duct for air inlet grille	1
Tapping screw	10
Pan-head screws	4

(c) Installation



(d) Installation procedure

- 1) Mount the duct for the air inlet grille to the indoor unit using the 10 tapping screws provided. The tapping screws on the drain pan receiver side are also used for mounting the duct for the air inlet grille. They must first be removed and reinstalled after the duct for the air inlet grille is in place. A guideline for the height is to secure the assembly so that the lower surface of the duct for the intake grille is approximately 10 mm above the bottom surface of the ceiling.
- 2) Remove the center screw for the air inlet grille and open the grille as shown in the illustration. Next, insert the air inlet grille into the duct for the air inlet grille and secure it with the pan-head screws (the long screws).
- 3) Use the pan-head screws to make the small adjustments in height. The height dimension on the installation diagram allows for adjustment within range of 80 to 100 mm. If the pan-head screws are completely tightened, the height will be 80 mm.



(2) Rear inlet filter set

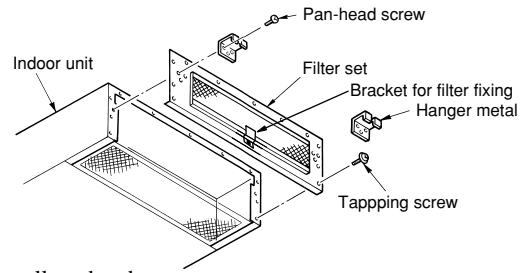
(a) Part No.: RBF12

(b) Installation

Do not use this filter set alone.

There are two inlet ports: lower inlet port (normal) and rear inlet port.

- 1) Detach the rear panel and the hanger metal screwd onto the rear panel from an indoor unit.
- 2) Attach the removed hanger metal to the frame of the filter set with small panhead screws. (One screw each on the right and left sides of the frame is designed to fasten them together onto the main unit).
- 3) Attach the filter set onto the point where the rear panel was attached with tapping screws. (The rear panel will become of no use anymore)



(3) Duct joint for air outlet plate

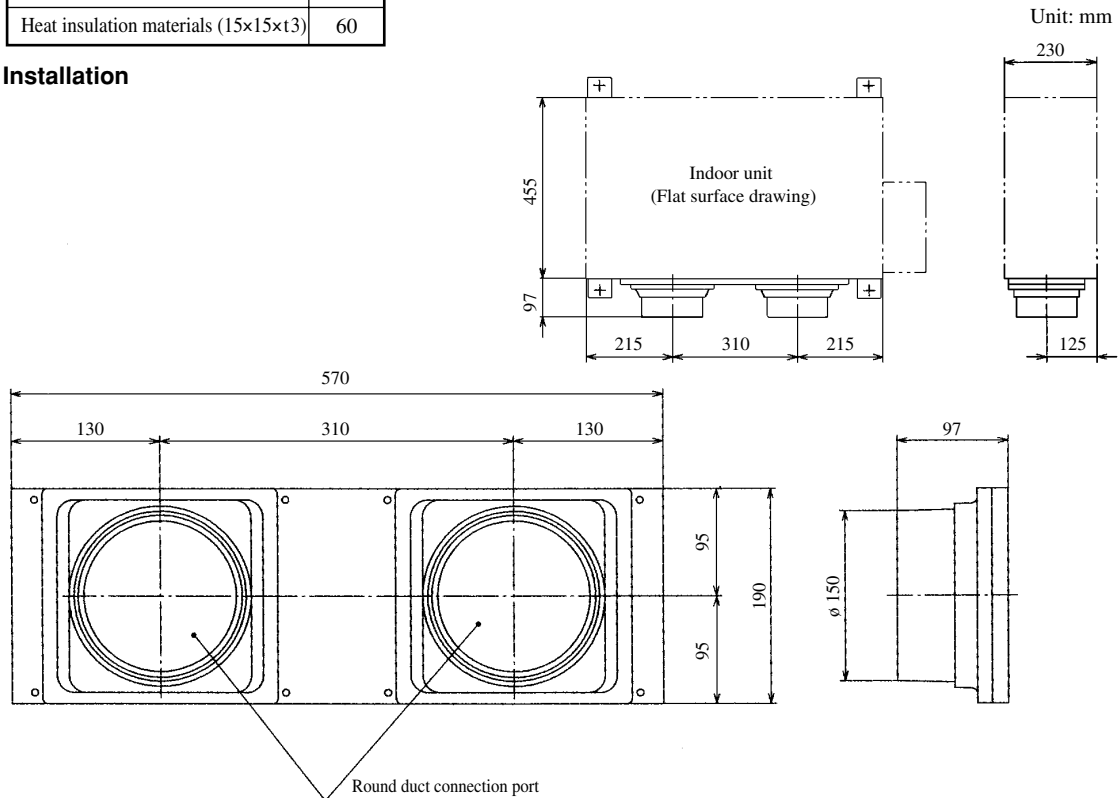
(a) Part No.: RFJ22

This duct joint is to be used for the connection of a round duct (ø 150 mm) to an indoor unit.

(b) Part list

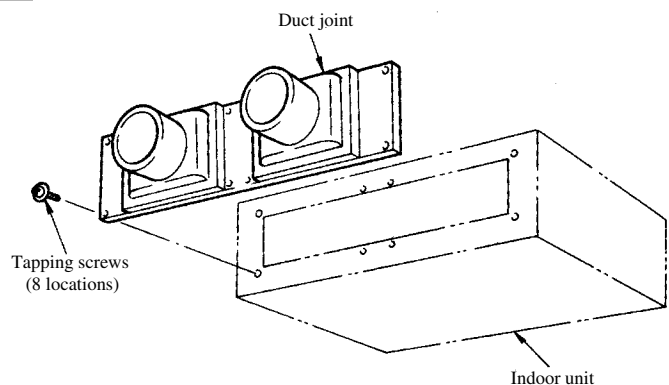
Name	Qty.
Duct joint	1
Tapping screws	8
Heat insulation materials (15×15×t3)	60

(c) Installation



(d) Installation procedure

Use the tapping screws to mount the duct joint to the front of the indoor unit. Use care to prevent gaps from forming at the joining surfaces with the indoor unit. Use insulation at the connecting areas between a round duct and the duct joint to prevent condensation.



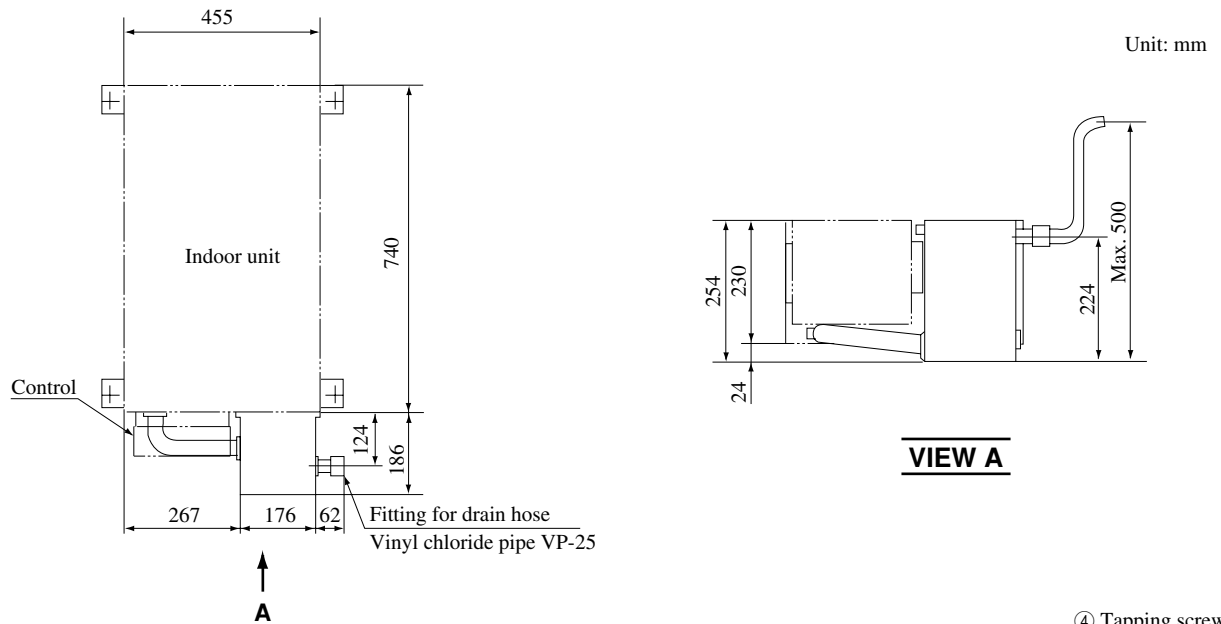
(4) Drain up kit

(a) Part No. : RDU12E

(b) Accessories

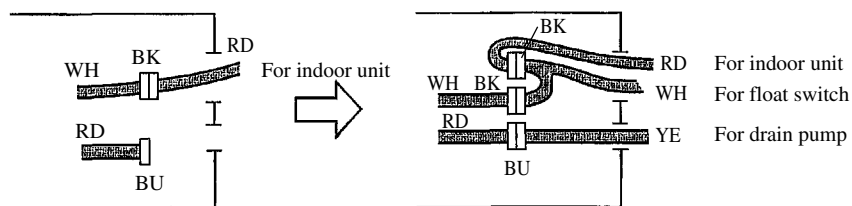
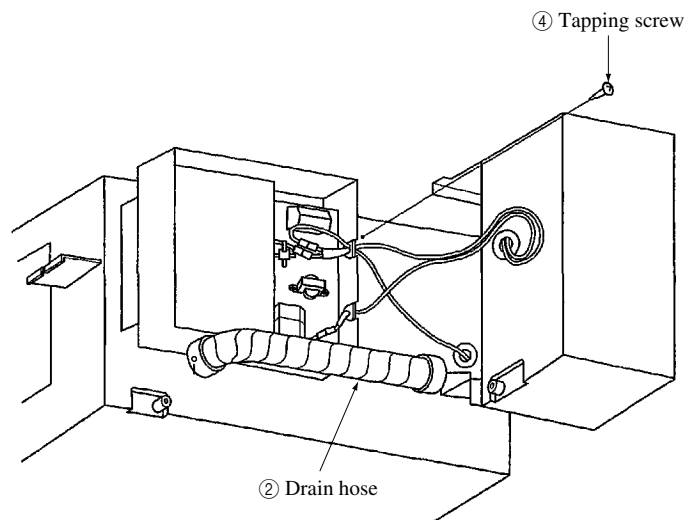
No.	Name	Qty.
①	Drain pump	1
②	Drain hose	1
③	Hose clamp	1
④	Tapping screw	4

(c) Installation of drain up kit



(d) Installation of drain up kit

- 1) Fix the drain up kit on the right side of the inside unit with tap screws.
- 2) Insert the drain hose fully and securely to the drain sockets of the inside unit and the drain up kit.
- 3) Connect the drain up kit's connectors for the drain pump (red color 2P) and the float switch (black 2P) to the connectors of the control box. (The control box's connectors for the drain pump and the float switch are also red and black respectively.) Note that the control's connector for the float switch is already connected to the inside unit's connector for the float switch, so disconnect them and connect it to the drain up kit's connector for the float switch .



- 4) Use hard PVC general purpose pipes VP-25 sold in the market for drain pipes after draining up.
- 5) Tighten the PVC pipe securely with the attached clamp after inserting it in the drain socket.
- 6) The drain pipe must have downward inclination gradient of 1/100 or more, and take care not to make a trap or uphill pass.
- 7) When connecting the drain pipe, take care not to apply force on the pipe of the unit, and clamp the pipe as close as possible to the unit.
- 8) Don't attach air purge pipe, because the drain might spout.
- 9) Be sure to provide heat insulation to the indoor side drain pipe.

