

Installation Points and Operating Instructions for the Filter Kit

This manual contains installation points and operating instructions for the filter kit mounted on the super thin ducted models manufactured by MHI.

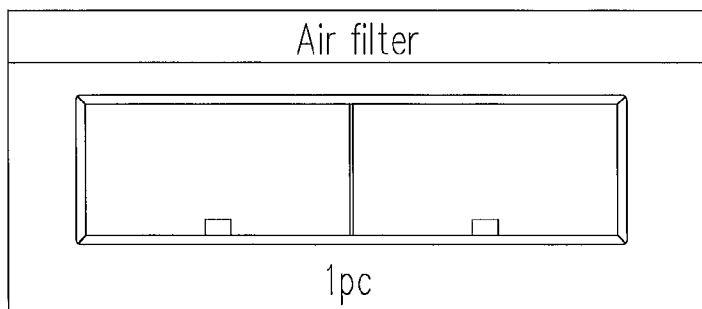
Carry out the work following the instructions below.

This manual also contains information on the usage after installation, so keep this manual properly with USER'S MANUAL provided with the indoor unit.

CAUTION

- Do not carry out the work during operation, or there is a danger of being entangled in the rotating parts and getting injured.
- Clean the air filter regularly.
- Be sure to entrust qualified servicemen to perform maintenance on the air filter.
- Be sure to cut off the power and stop the unit before performing maintenance.

1. Parts list of filter kit



2. Installation Points

Install the air filter on the return flange.

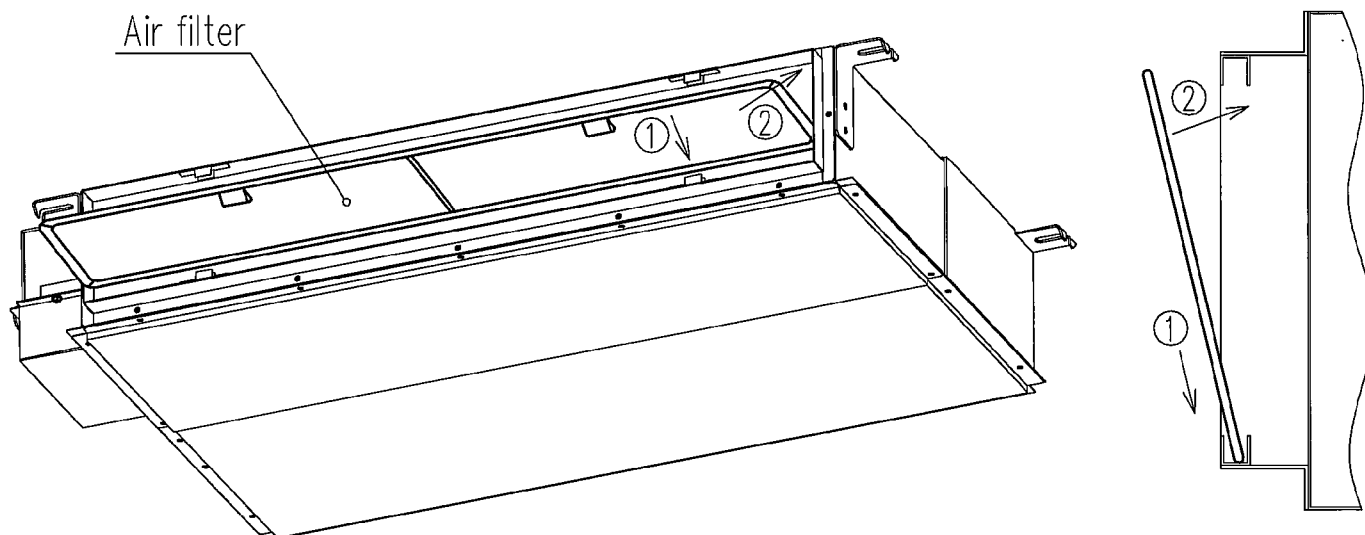


Figure shows a local installation.